

SPECIFICATIONS

MULTI-FAMILY

HOUSING

- Die-cast aluminum housing with powder coat finish
- Oil rubbed bronze or silver finish

ELECTRICAL

- 120-277V
- Power Factor >.90
- Operating Temperature: -4°F - 113°F (-20°C - 45°C)
- Efficacy: 72 LPW
- Triac dimmable at 120V & 0-10V Dimming at 120-277V

ILLUMINATION

- 25W
- 1800 lumens
- Color Selectable: 3000K/4000K/5000K
- 70,000 hours @L₇₀
- Beam Angle: 120°
- CRI ≥ 80

CODE COMPLIANCE

- cETLus listed for Wet Locations
- IP65
- Energy Star Rated

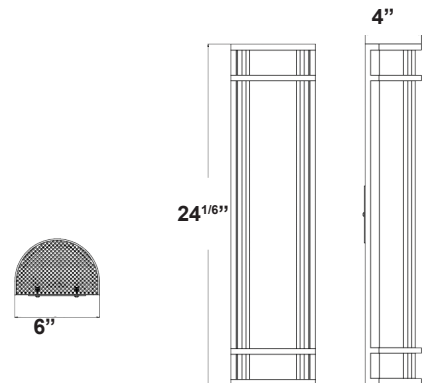
WARRANTY

- 5 Year



WSC39-W

Color Selectable LED Wall Sconce



ORDERING INFORMATION

MODEL #	Description
WSC39-W-25L-120V-MCT-SIL	25W, 1800 lumens, 30K/40K/50K, Silver Finish
WSC39-W-25L-120V-MCT-ORB	25W, 1800 lumens, 30K/40K/50K, Oil Rubbed Bronze

OPTIONS (Factory Installed)

- EM - Emergency Battery Backup Option

PHOTOMETRICS

