

SPECIFICATIONS

OUTDOOR

HOUSING

- Heavy duty die cast aluminum housing and front frame
- Bronze powdercoat bronze finish
- Corrosion resistant housing and hardware
- OxyShield 9-stage anti-oxidation process
- Silicone rubber gasket

ELECTRICAL

- Quad Tap (QT) - 120/208/240/277V
- Dimmable driver standard
- 347V-480V also available
- Operating Temperature: -40°F (-40°C) - 104°F (40°C)

OPTICAL SYSTEM

- Clear glass lenses
- High quality heat sinks for temperature control
- IC current controlled LED circuits
- 320,000 Hours @ L₇₀
- CRI: 80
- Offered in 30K, 40K, and 50K
- Type V Distribution

ILLUMINATION

- 56L: 55.8W LED / 60.6 System Watts
- 74L: 74.3W LED / 80.8 System Watts
- 112L: 111.5W LED / 121.2 System Watts

MOUNTING

- No mounting hardware standard
- Optionally mounts with trunion, slip fitter, or mounting arm, or wall bracket

CODE COMPLIANCE

- cSAus Listed for Wet Locations
- Meets UL Requirements
- IP66 Rated
- Meets UL Requirements
- Assembled in USA available

WARRANTY

- 5 Year
- 10 Year Available

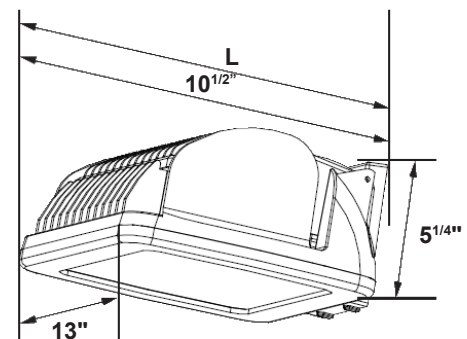
ORDERING INFORMATION

CATALOG #	Lumens	Distribution	Color
AL25-Q-56L-QT-30K	6,414	Type V	3000K
AL25-Q-56L-QT-40K	6,646	Type V	4000K
AL25-Q-56L-QT-50K	7,127	Type V	5000K
AL25-Q-74L-QT-40K	8,782	Type V	4000K
AL25-Q-74L-QT-50K	9,418	Type V	5000K
AL25-Q-112L-QT-40K	13,292	Type V	4000K
AL25-Q-112L-QT-50K	14,253	Type V	5000K



Shown with Optional Slip Fitter

AL25-Q Small LED Area Light



Length with Mount:

- SB: 14^{1/4}"
- SF: 14^{1/8}"
- ARM: 14^{7/8}"
- AAM: 14^{5/8}"
- WB: 11^{3/8}"

See second page for options/accessories

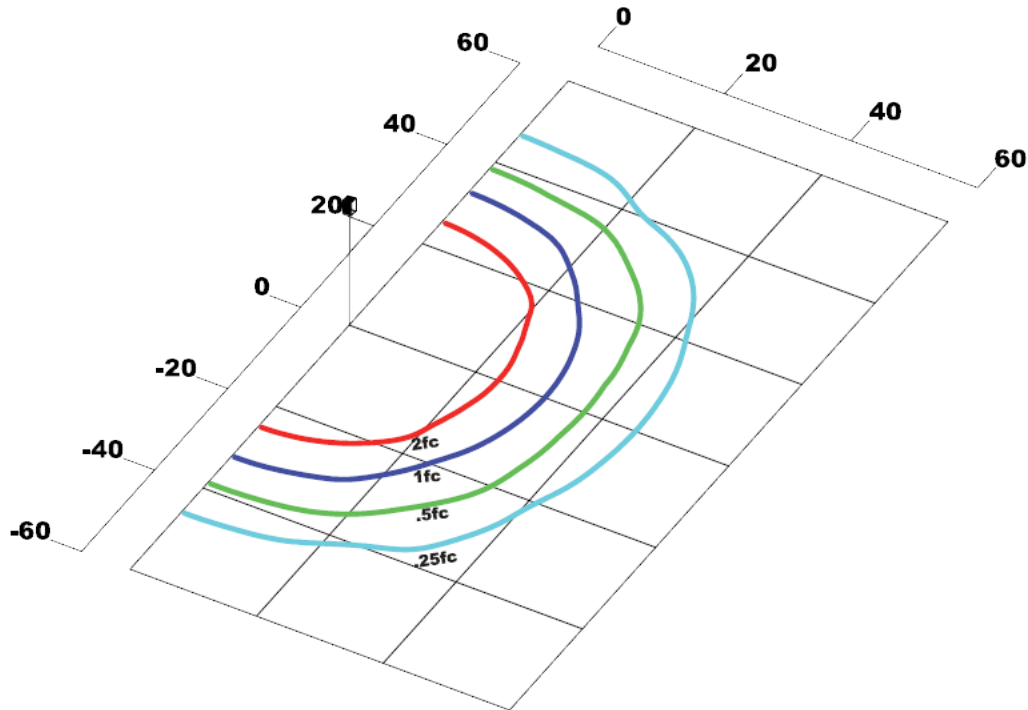
PHOTOMETRICS

OPTIONS (Factory Installed)

SF	- Slipfitter
SB	- Trunion Mount
ARM	- Mounting Arm
MAA	- Pole Mounting Arm Adapter (Fits 2 ^{3/8"})
WB	- Wall Bracket
SGP	- Surge Protection
SGF	- Single Fuse
DBF	- Double Fuse
480V	- 347-480V Driver
TWL7PIN	- 7-Pin Twist Lock Photocell Receptacle
TWLPC3R	- 3-Pin Twist Lock Photocell Receptacle
10YR	- 10 Year Warranty
CC	- Custom Color
USA	- Assembled in USA

ACCESSORIES (Ships on Side)

AL25-Q-GS	- Glare Shield
AL25-Q-WG	- Wire Guard
AL25-Q-RPA	- Round Pole Adapter (use with ARM only, 4-6" poles)
TWLNCS	- Twist Lock Non-Shorting Cap (Fixture always off)
TWLSC	- Twist Lock Non-Shorting Cap (Fixture always on)
TWLPC1	- 110-120V Twist Lock Photocell
TWLPC2	- 105-287V Twist Lock Photocell
TWLTD1	- 120V Twist Lock Time Delay Photocell
TWLTD2	- 277V Twist Lock Time Delay Photocell
PTB	- Single Pole Tenon Spoke Bracket
PTB2	- Twin Pole Tenon Spoke Bracket - 90° Arm
PTB2180	- Twin Pole Tenon Spoke Bracket - 180° Arm
PTB3	- Triple Pole Tenon Spoke Bracket - 90° Arm
PTB3120	- Triple Pole Tenon Spoke Bracket - 120° Arm
PTB4	- Quad Pole Tenon Spoke Bracket - 90° Arm



AL25-Q-112L-QT-50K
Mounting Height: 20ft