

## SPECIFICATIONS

OUTDOOR

### HOUSING

- Heavy duty die cast aluminum housing and front frame
- Bronze powdercoat bronze finish
- Corrosion resistant housing and hardware
- OxyShield 9-stage anti-oxidation process
- Silicone rubber gasket

### ELECTRICAL

- Quad Tap (QT) - 120/208/240/277V
- Dimmable driver standard
- 347V also available
- Operating Temperature: -40°F (-40°C) - 122°F (50°C)

### OPTICAL SYSTEM

- Clear and diffused glass lenses available
- High quality heat sinks for temperature control
- IC current controlled LED circuits
- 320,000 Hours @ L<sub>70</sub>
- CRI: 80
- Offered in 30K, 40K, and 50K
- Types III and V available

### ILLUMINATION

- 21.7W LED / 23.8 System Watts
- 37.2W LED / 43 System Watts

### MOUNTING

- No mounting hardware standard
- Optionally mounts with trunion, slip fitter, yoke mount, wall bracket, mounting arm, and knuckle

### CODE COMPLIANCE

- cSAus Listed for Wet Locations
- Meets UL Requirements
- IP66 Rated
- Meets DLC Requirements
- Assembled in USA Available

### WARRANTY

- 5 Year
- 10 Year Available

### ORDERING INFORMATION

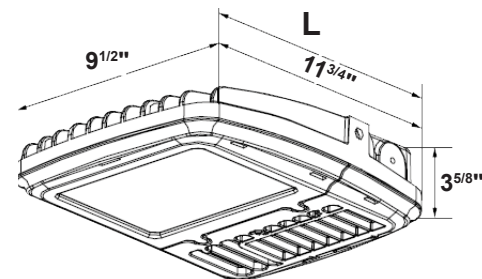
CATALOG #	Lumens	Distribution	Color	Lens
AL27-Q-22L-QT-40K-T3-CL	2,681	Type III	4000K	Flat Clear
AL27-Q-22L-QT-40K-T3-DL	2,547	Type III	4000K	Diffused
AL27-Q-22L-QT-50K-T3-CL	2,875	Type III	5000K	Flat Clear
AL27-Q-22L-QT-50K-T3-DL	2,740	Type III	5000K	Diffused
AL27-Q-22L-QT-40K-T5-CL	2,557	Type V	4000K	Flat Clear
AL27-Q-22L-QT-40K-T5-DL	2,429	Type V	4000K	Diffused
AL27-Q-22L-QT-50K-T5-CL	2,742	Type V	5000K	Flat Clear
AL27-Q-22L-QT-50K-T5-DL	2,605	Type V	5000K	Diffused
AL27-Q-37L-QT-40K-T3-CL	4,508	Type III	4000K	Flat Clear
AL27-Q-37L-QT-40K-T3-DL	4,283	Type III	4000K	Diffused
AL27-Q-37L-QT-50K-T3-CL	4,834	Type III	5000K	Flat Clear
AL27-Q-37L-QT-50K-T3-DL	4,593	Type III	5000K	Diffused
AL27-Q-37L-QT-30K-T5-CL	4,373	Type V	3000K	Flat Clear
AL27-Q-37L-QT-30K-T5-DL	4,155	Type V	3000K	Diffused
AL27-Q-37L-QT-40K-T5-CL	4,300	Type V	4000K	Flat Clear
AL27-Q-37L-QT-40K-T5-DL	4,155	Type V	4000K	Diffused
AL27-Q-37L-QT-50K-T5-CL	4,611	Type V	5000K	Flat Clear
AL27-Q-37L-QT-50K-T5-DL	4,381	Type V	5000K	Diffused

See second page for options/accessories



Shown with ARM mount

## AL27-Q Small LED Area Light



**Length with Mount (L)**  
 Trunion Bracket (BR): 15<sup>1</sup>/<sub>2</sub>"  
 Yoke (YK): 14<sup>3</sup>/<sub>4</sub>"  
 Slip Fitter (SF): 15<sup>1</sup>/<sub>2</sub>"  
 Arm Mount (ARM): 24<sup>1</sup>/<sub>2</sub>"  
 Wall Bracket (WB): 12<sup>3</sup>/<sub>4</sub>"

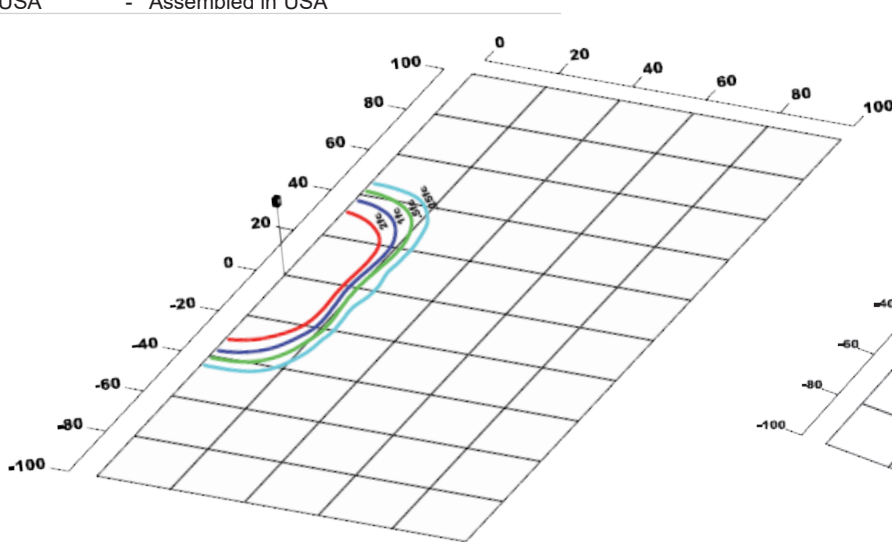
## PHOTOMETRICS

### OPTIONS (Factory Installed)

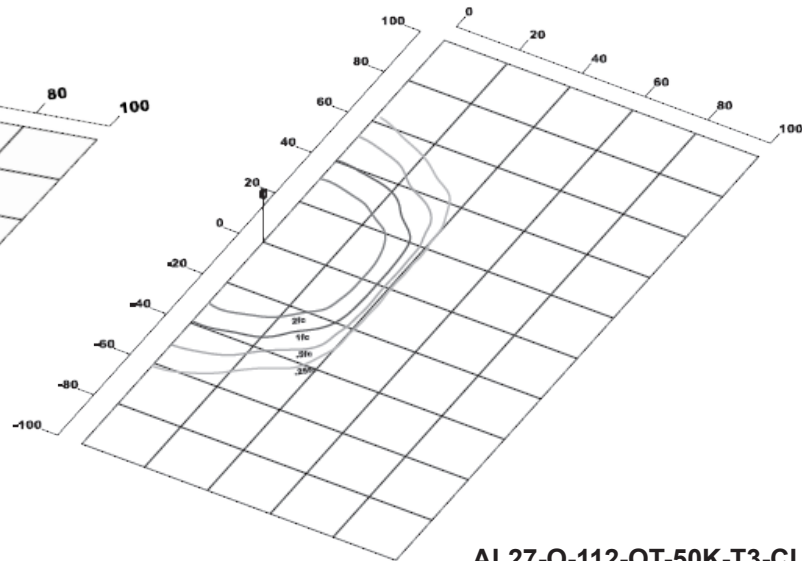
DL	- Diffused Lens (replaces CL in part number)
ARM	- Mounting Arm
SF	- Slipfitter
SB	- Trunion Bracket
AY	- Adjustable Yoke
MAA	- Mounting Arm Adapter (fits 2 <sup>3/8</sup> " arm)
WB	- Wall Mount Bracket
KN	- 1/2" NPS Knuckle
SGP	- Surge Protection
SGF	- Single Fuse
DBF	- Double Fuse
480V	- 347-480V Driver
MS1	- External IR Motion Sensor (20-35')
MS2	- External IR Motion Sensor (18' or less)
PC3	- 120-277V Photocell
10YR	- 10 Year Warranty
CC	- Custom Color
USA	- Assembled in USA

### ACCESSORIES (Ships on Side)

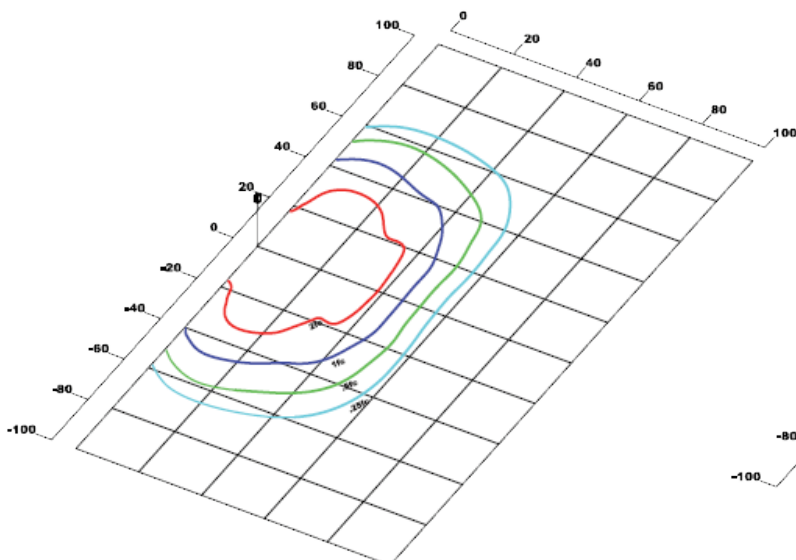
AL27-Q-GS	- Glare Shield
AL27-Q-WG	- Wire Guard
AL27-Q-RPA	- Round Pole Adapter (use with ARM only, 4-6" poles)
TWLPC1	- 110-120V Twist Lock Photocell
TWLPC2	- 105-287V Twist Lock Photocell
TWLTD1	- 120V Twist Lock Time Delay Photocell
TWLTD2	- 277V Twist Lock Time Delay Photocell
TWLNSC	- Twist Lock Non-Shorting Cap (Fixture always off)
TWLSC	- Twist Lock Shorting Cap (Fixture always on)
PTB	- Single Pole Tenon Spoke Bracket
PTB2	- Twin Pole Tenon Spoke Bracket - 90° Arm
PTB2180	- Twin Pole Tenon Spoke Bracket - 180° Arm
PTB3	- Triple Pole Tenon Spoke Bracket - 90° Arm
PTB3120	- Triple Pole Tenon Spoke Bracket - 120° Arm
PTB4	- Quad Pole Tenon Spoke Bracket - 90° Arm



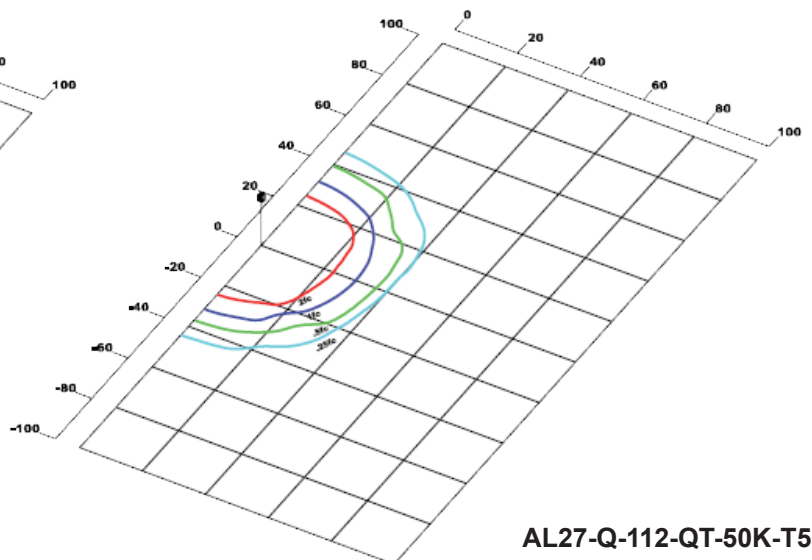
AL27-Q-112-QT-50K-T1-CL



AL27-Q-112-QT-50K-T3-CL



AL27-Q-112-QT-50K-T4-CL



AL27-Q-112-QT-50K-T5-CL