

SPECIFICATIONS

HIGHBAYS

HOUSING

- One-piece die cast aluminum housing
- Continuous poured in-place gasket
- Cooling fins to increase ambient temperature

ELECTRICAL

- Electronic, quad tap (QT) 120-277V ballast
- Dimmable Driver standard
- 347V driver available

MOUNTING

- Aluminum mounting hook for easy installation

CODE COMPLIANCE

- cULus Listed for Damp Locations
- Meets DLC Requirements

WARRANTY

- 5 Year Warranty
- 10 Year Available

Ordering Information

CATALOG#	Wattage	Lumens
HBLED24-C-148L-QT-*	148W	19,605 Lumens
HBLED24-C-176L-QT-*	176W	24,019 Lumens
HBLED24-C-232L-QT-*	232W	29,983 Lumens
HBLED24-C-303L-QT-*	303W	40,000 Lumens

Specify 40K, 50K

OPTIONS (Factory Installed)

347V	-	347V Driver
WH	-	White Housing
SIL	-	Silver Housing
10YR	-	10 Year Warranty

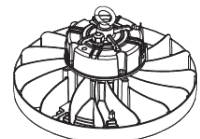
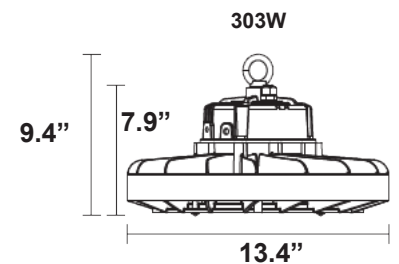
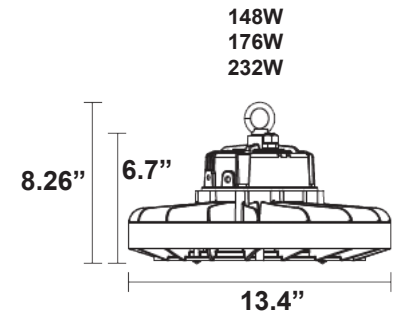
ACCESSORIES (Order Separately, Ships on Side)

HBLED24-C-AL	-	Aluminum Reflector
HBLED24-C-AR	-	Acrylic Refractor
HBLED24-C-FGL	-	Flat Glass and Clamp Band
HBLED24-C-FPL	-	Prismatic Lens and Clamp Band
HBLED24-C-CCL	-	Conical Lens and Clamp Band
HBLED24-C-WG	-	Wire Guard

Options shown on 2nd page



HBLED24-C LED Round Highbay





HBLED24-C-AR



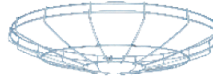
HBLED24-C-AL



HBLED24-C-FGL



HBLED24-C-FPL



HBLED24-C-WG



HBLED23-CCL