

SPECIFICATIONS

INDOOR

HOUSING

- Heavy duty die cast aluminum housing
- Dark yellow industrial powdercoat paint
- On/Off push button on fixture housing
- Lens covered by wireguard
- (2) Hinged points for optimal positioning

ELECTRICAL

- Head: Quad Tap (QT) - 120-277V
- Operating Temperature: -40°C - 45°C (-40°F - 113°F)
- 4kV surge protection standard

OPTICAL SYSTEM

- Glass Lens
- 30W
- 2400 Lumens
- 15° Narrow Beam
- MCT: Selectable between 30K/40K/50K
- 100,000 Hours @ L₇₀
- CRI ≥ 80

CODE COMPLIANCE

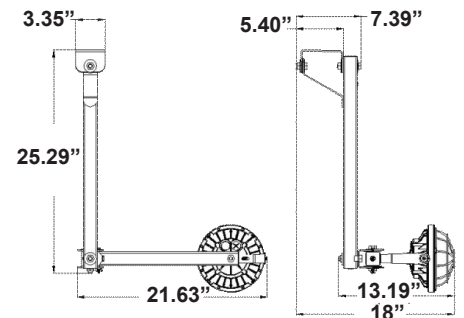
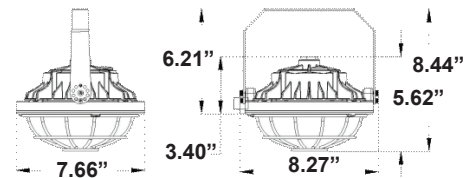
- cULus Listed for Wet Location (head only) or Damp Location (with mounting arm)
- IP65 Rated (head only)

WARRANTY

- 5 Year



**LBDLED-E
LED Dock Light**



ORDERING INFORMATION (Order Separately)

CATALOG #	Description
LBDLED-E-30L-QT-MCT	Dock Head, 30W, 2400 Lumens, 30K/40K/50K
SDL-E-42	42" Adjustable Strut Arm