

## SPECIFICATIONS

MULTI FAMILY

### HOUSING

- Durable thermoplastic construction
- E26 base connector provides easy retrofit of incandescent housings

### ELECTRONIC

- Dimmable to 10% with most dimmers
  - Lutron Maestro C-L: MACL-153MR
  - Lutron Skylark C-L: SCL-153P
  - Leviton Sureslide: #6674
  - Lutron: PD-6WCL
  - Legrand Harmony: HCL453PTCCCV6
- Power Factor > .90
- 120V
- 50-60Hz
- Built-In LED Driver
- Operating Temperature: -20°C - 40°C (-4°F - 104°F)

### ILLUMINATION

- CRI: 80
- 50,000 Hours @ L70
- Uses 1.18W high quality LEDs

### MOUNTING

- Mounts to a 4" junction box
- Can be retrofit to existing 3" - 6" housings

### CODE COMPLIANCE

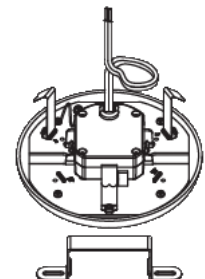
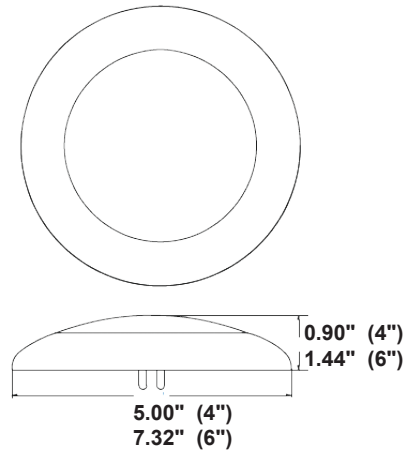
- cETLus Listed for Wet Location
- Meets UL Requirements
- Energy Star Qualified
- Meets California Title 24 requirements

### WARRANTY

- 5 Year Warranty



## VLSD-B LED Surface Dome Light



Snap-in Mounting Bracket Over a Plastic or Metal 4/0 J-Box

## Ordering Information

CATALOG#	Surface	Retrofit	Wattage	Lumens	Color
VLSD-B-34L-27K	4"	3"/4"	8W	700 Lumens	2700K
VLSD-B-34L-30K	4"	3"/4"	8W	700 Lumens	3000K
VLSD-B-34L-40K	4"	3"/4"	8W	700 Lumens	4000K
VLSD-B-34L-50K	4"	3"/4"	8W	700 Lumens	5000K
VLSD-B-36L-27K	6"	3"/4"/5"/6"	14W	1200 Lumens	2700K
VLSD-B-36L-30K	6"	3"/4"/5"/6"	14W	1200 Lumens	3000K
VLSD-B-36L-35K	6"	3"/4"/5"/6"	14W	1200 Lumens	3500K
VLSD-B-36L-40K	6"	3"/4"/5"/6"	14W	1200 Lumens	4000K