



Project:	
Type:	
Catalog #:	

## Model VLSDS-B-LED

### VersaLED Square Ceiling Light

#### HOUSING

- Durable steel housing
- Easy installation in new construction or retrofit

#### ELECTRONIC

- Power Factor > .99
- 120V, 60Hz
- THD <20%
- Operating Temperature: -20°C - 35°C (-4°F - 95°F)

#### ILLUMINATION

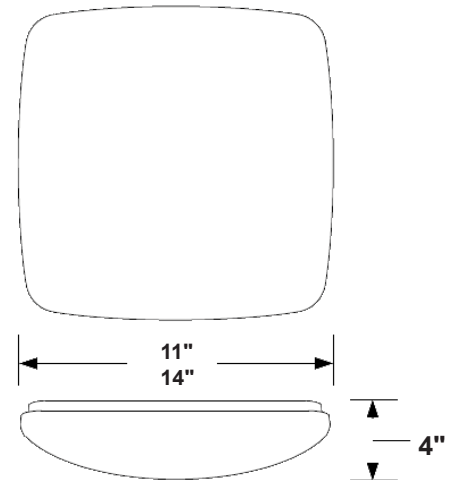
- Acrylic Lens
- CRI: 80
- 74,000 Hours @ L<sub>70</sub>

#### CODE COMPLIANCE

- ETL Listed for Damp Locations
- Energy Star Qualified

#### WARRANTY

- 5 year warranty

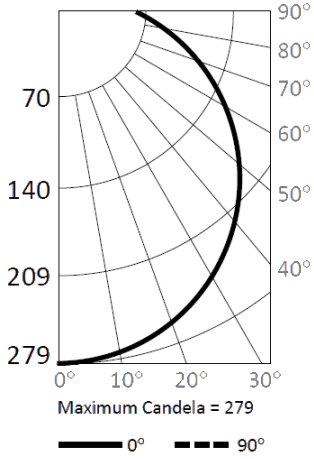


### ORDERING INFORMATION

CATALOG#	SURFACE	WATT	LUMENS	COLOR
VLSDS-B-14L-27K	11"	14W	1,214 Lumens	2700K
VLSDS-B-14L-40K	11"	14W	1,320 Lumens	4000K
VLSDS-B-24L-27K	14"	24W	1,685 Lumens	2700K
VLSDS-B-24L-40K	14"	24W	1,803 Lumens	4000K

#### CATALOG#

**VLSDS-B-14L-120V-40K**



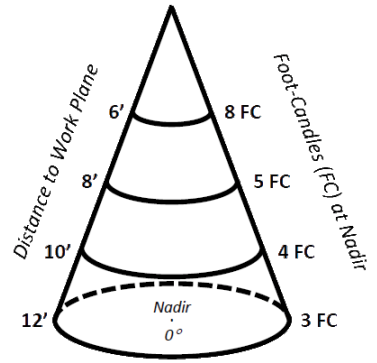
**Candlepower Summary**

	0°	90°
0°	279	279
10°	276	276
20°	264	264
30°	244	245
40°	217	218
50°	185	186
60°	153	153
70°	120	121
80°	90	91
90°	64	64

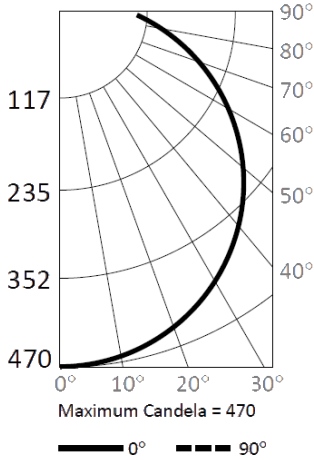
**Zonal Lumen Summary**

Zone	Lumens	% Fixture
0° - 10°	25	2.4%
0° - 20°	98	9.3%
0° - 30°	209	19.9%
0° - 40°	344	32.8%
0° - 50°	490	46.7%
0° - 60°	631	60.1%
0° - 70°	757	72.0%
0° - 80°	859	81.8%
0° - 90°	936	89.2%
90° - 180°	114	10.8%
0° - 180°	1,050	100.0%

**Cone of Light**



**VLSDR-B-24L-120V-40K**



**Candlepower Summary**

	0°	90°
0°	470	470
10°	461	461
20°	439	440
30°	404	406
40°	357	359
50°	300	304
60°	240	243
70°	182	185
80°	130	133
90°	85	87

**Zonal Lumen Summary**

Zone	Lumens	% Fixture
0° - 10°	45	2.5%
0° - 20°	173	9.6%
0° - 30°	371	20.5%
0° - 40°	616	34.1%
0° - 50°	879	48.6%
0° - 60°	1,132	62.6%
0° - 70°	1,352	74.7%
0° - 80°	1,527	84.4%
0° - 90°	1,654	91.4%
90° - 180°	155	8.6%
0° - 180°	1,809	100.0%

**Cone of Light**

