

SPECIFICATIONS

OUTDOOR

HOUSING

- Heavy duty die cast aluminum housing
- Bronze powdercoat bronze finish
- Corrosion resistant housing and hardware
- OxyShield 9-stage anti-oxidation process
- Silicone rubber gasket
- 1/2" coin plugs with O-rings for conduit and photocell

ELECTRICAL

- Quad Tap (QT) - 120/208/240/277V
- Dimmable driver available

OPTICAL SYSTEM

- Clear and Prismatic glass lenses available
- High quality heat sinks for temperature control
- IC current controlled LED circuits
- Type V distribution
- 213,000 Hours @ L₇₀

ILLUMINATION

- 37.2W LED
- 43 System Watts

MOUNTING

- Cast-In template for mounting directly over a 4" recessed outlet box, or use 1/2" surface conduit

CODE COMPLIANCE

- cSAus Listed for Wet Locations
- Meets UL Requirements
- IP65 Rated
- Wildlife Lighting Certified (with optional baffle) - Cert #2018-001
- Turtle-Safe (with optional baffle)

WARRANTY

- 5 Year
- 10 Year Available

ORDERING INFORMATION

CATALOG #	Lumens	Lens	Certification
WP16-Q-37L-QT-AMB-CL	1,279	Clear	
WP16-Q-37L-QT-AMB-PL	1,215	Prismatic	
WP16-Q-37L-QT-AMB-CL-BAF	1,279	Clear	Wildlife Certified

OPTIONS (Factory Installed)

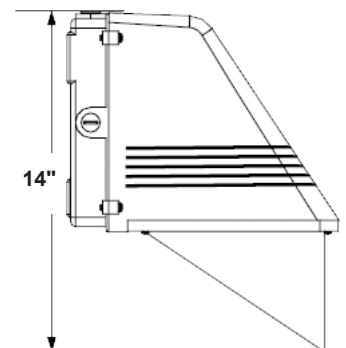
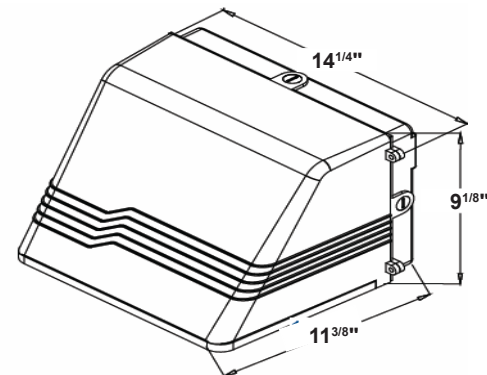
EBLED	-	Battery Backup
PC1	-	120V Photocell
PC2	-	208-277V Photocell
SGP	-	Surge Protection
SGF	-	Single Fuse
DBF	-	Double Fuse
CC	-	Custom Color
10YR	-	10 Year Warranty

ACCESSORIES (Order Separately)

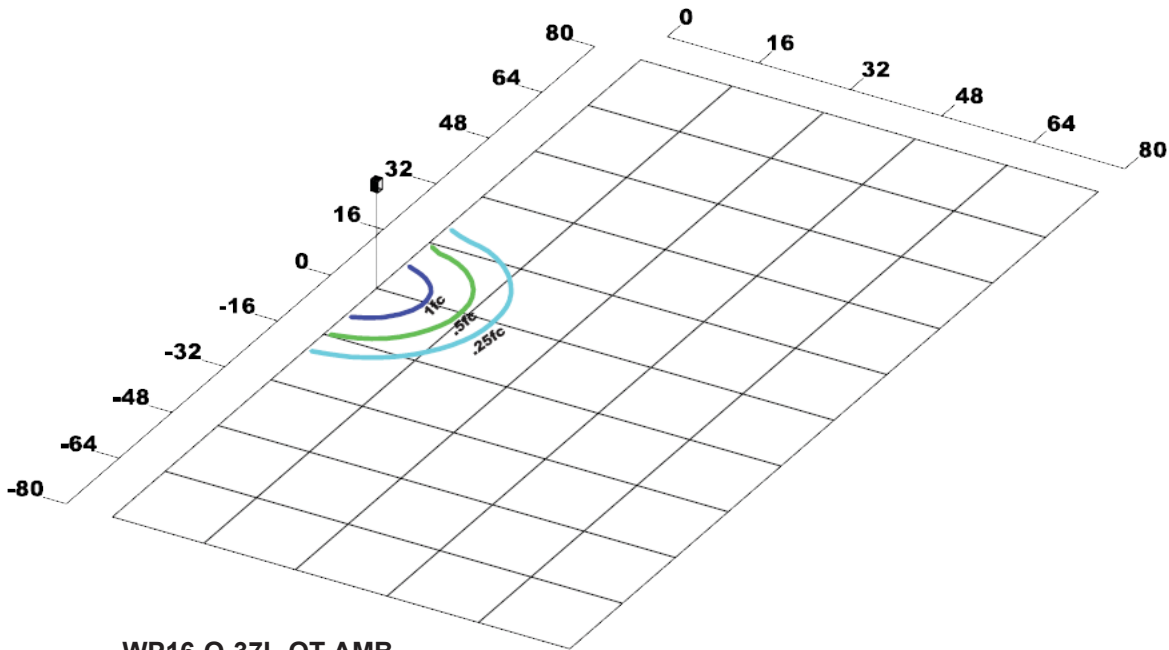
WP16-Q-WG	-	Wire Guard (not for BAF model)
WP16-Q-LG	-	Vandal Guard



WP16-Q-AMB Medium Full Cutoff Amber LED Wall Pack



PHOTOMETRICS



WP16-Q-37L-QT-AMB
Mounting Height = 16ft

