

INSTALLATION INSTRUCTIONS FOR THE HB10-LED SERIES FIXTURES

APPLICATION: General/High Bay Lighting

STOP! - READ THIS FIRST! - IMPORTANT SAFETY INSTRUCTIONS!

- For information on how to recycle LED/Fluorescent electronic products, please visit www.epa.gov.
- Do not install damaged product. This fixture is properly packed to prevent damage during transit.
- All wiring connections should be capped with UL approved recognized wire connectors.
- Do not touch LED diodes or any connecting clips; these parts are very sensitive.
- Do not exceed maximum wattage marked on fixture label.

Carefully read the instructions pertaining to your fixture thoroughly. IF YOU HAVE ANY QUESTIONS REGARDING THE PROPER INSTALLATION OR LOCAL CODES, CONSULT A QUALIFIED ELECTRICIAN.	Injury to persons and damage to the fixture and/or mounting surface may occur if the fixture is pulled from the surface. To reduce risk of injury or damage, mount only to a mechanically sound surface.
Both cord set and hard wired fixtures are intended for connection to a grounded, three-wire source of supply.	Install and wire the fixture in locations in accordance with all national, state and local codes.
Do not install outdoors or in applications other than intended use.	To avoid shock hazard, do not work with live electrical wires.
Ensure fixture is properly grounded before testing.	This fixture is intended for dry applications only.



WARNING: THIS PRODUCT MUST BE INSTALLED IN ACCORDANCE WITH THE APPLICABLE INSTALLATION CODE BY A PERSON FAMILIAR WITH THE CONSTRUCTIONS AND OPERATIONS OF THE PRODUCT AND THE HAZARDS INVOLVED.



WARNING: RISK OF FIRE; MINIMUM OF 90°C SUPPLY CONDUCTOR SHOULD BE USED. CONSULT A QUALIFIED ELECTRICIAN TO ENSURE CORRECT BRANCH CIRCUIT CONDUCTOR.




WARNING: TO AVOID ELECTRIC SHOCK HAZARD, DISCONNECT THE POWER AT THE PANEL BOARD (CIRCUIT BREAKER BOX) BEFORE BEGINNING INSTALLATION.



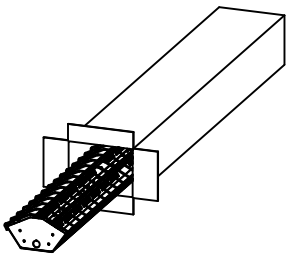
WARNING: TO AVOID FIRE HAZARD RISK, WHEN INSTALLING HARD WIRED UNITS, BE AWARE IF SUPPLY WIRES ARE LOCATED WITHIN THREE INCHES OF BALLAST. IF SO, USE WIRE RATED FOR AT LEAST 90°C (194°F). IF UNSURE, CONSULT A QUALIFIED ELECTRICIAN BEFORE INSTALLING.

1



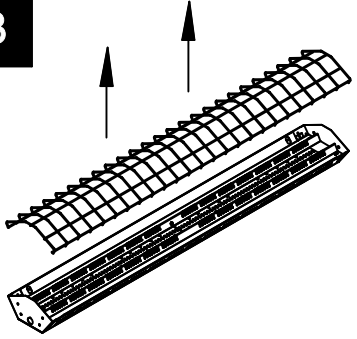
REMINDER: TO AVOID ELECTRIC SHOCK HAZARD, DISCONNECT THE POWER AT THE PANEL BOARD (CIRCUIT BOX) BEFORE BEGINNING INSTALLATION!

2



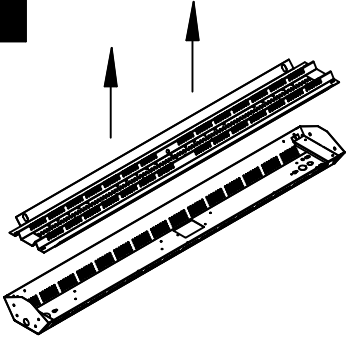
Carefully remove fixture from packaging. Use gloves to prevent dirt and oils from transferring to the unit. Inspect the fixture for any defects before proceeding.

3



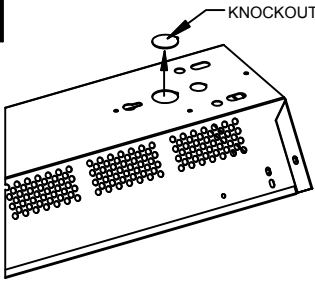
CAUTION: EDGES MAY BE SHARP: Carefully remove wire guard from fixture by removing screws holding wire guard clips to fixture, and set aside.

4



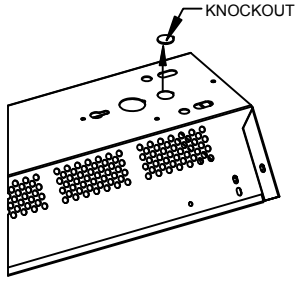
Remove LED assembly and set aside.

5



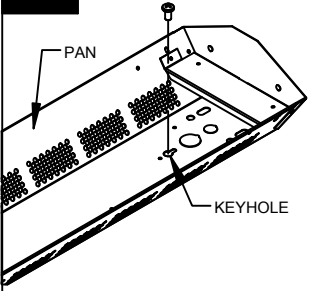
Remove 7/8" knockout from bottom of fixture in desired location to allow for wiring.

6



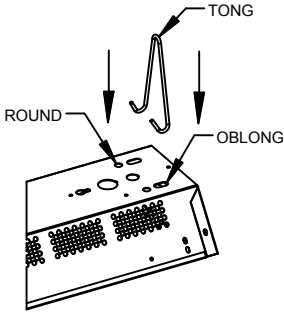
OPTIONAL - HC-301 PENDANT MOUNT ONLY: Remove 1/2" knockout from bottom of fixture on both ends to allow for hanging kit. Otherwise, skip this step.

7 SURFACE MOUNT OPTION



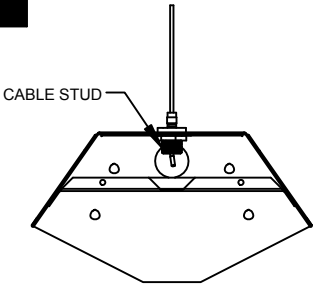
Mount pan to secure surface by installing mounting hardware thru keyhole on both end of fixture as shown

8 TONG HANGER MOUNT OPTION



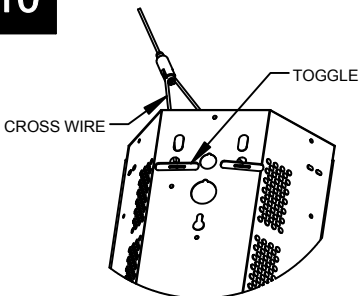
Bring tong thru oblong cutouts at an angle, then allow to come out thru round cutouts. Repeat for opposite end.

9 HC-301 PENDANT MOUNT OPTION



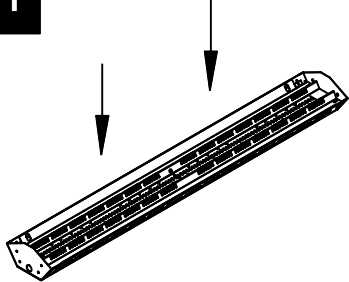
Bring stud of hanging kit through 1/2" knock-out and secure using nut provided (end cap not shown for clarity). Refer to HC-301-NPF instructions to complete install.

10 GT-301 PENDANT MOUNT OPTION



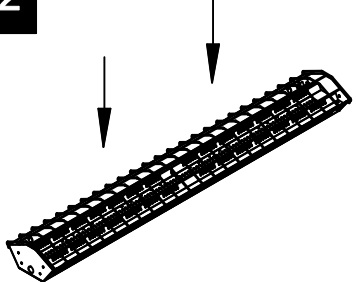
Fold cable so that toggle is parallel to cable and slide thru round cutout in pan (see GT-310/315 install instructions for details and instructions on adjusting the cross wire).

11



Reinstall LED assembly. Wire fixture in accordance with all national, state and local codes. Test fixture.

12



Reinstall wire guard.