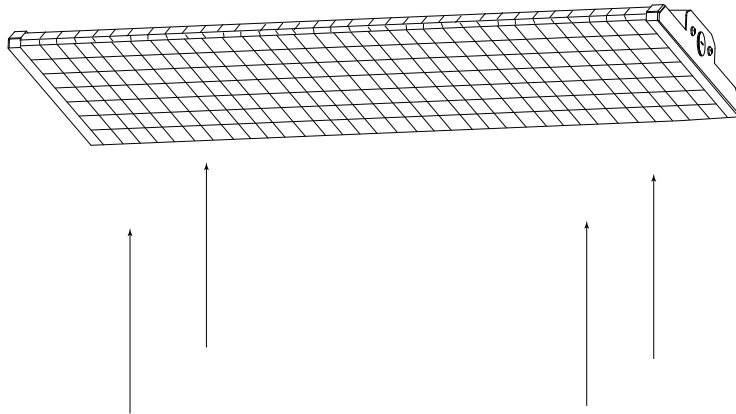


Wire Guards (option sold separately):



VLHBLED59-BSERIES INSTALLATION INSTRUCTIONS

CAUTION:

1. Read all instructions before starting installation.
2. This product must be installed in accordance with the applicable installation codes by a qualified electrician familiar with the construction and operation of the product and the hazards involved.
3. Disconnect power at circuit breaker or fuse before starting installation.
4. To avoid injury, wear gloves during installation.
5. To reduce the risk of electrical shock and product damage, do not install this luminaire during rain or other storms.
6. Do not test luminaire using an electric generator before installation.

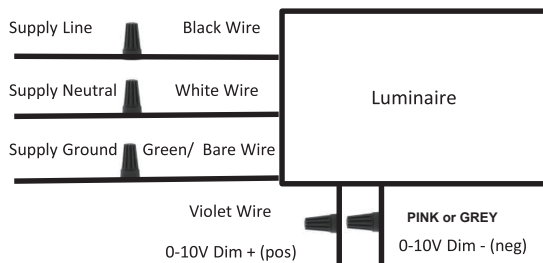
Instructions:

Standard Mounting

Chain Mount:

To suspend the highbay luminaire from chains, attach the enclosed v-hooks to the holes on the end caps. Attach the chain to a secure, stationary structure, and use the spring clips on the end to attach the chain to the v-hooks. Choose the appropriate knock out, and wire the fixture in accordance with proper code. (Figure 1)

Wiring Diagram



For dimming wires, use class 1 wiring methods.
Cap dimming wires (separately) if not used.

SAVE THESE INSTRUCTIONS

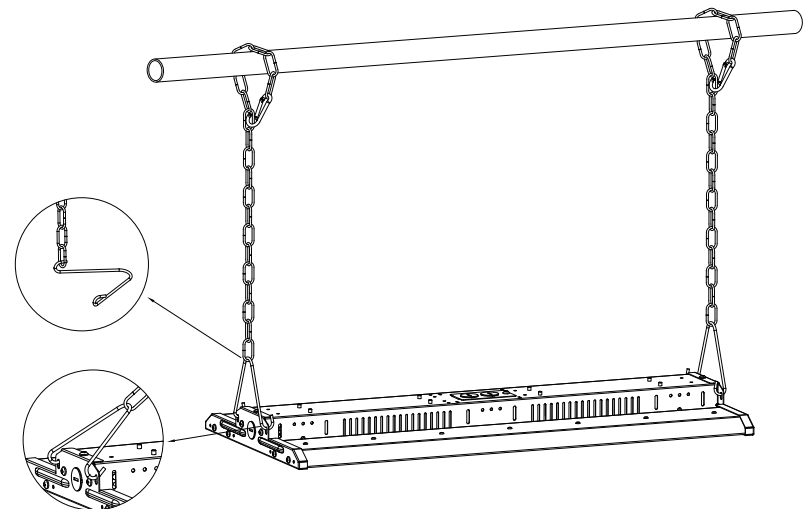


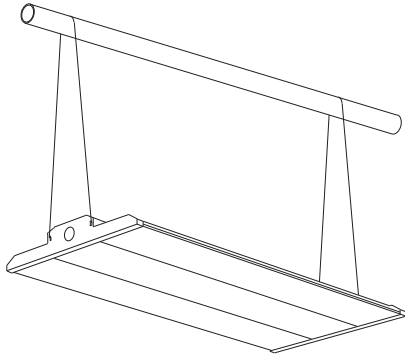
Figure 1

Optional Mounting

Optional mounting kits sold separately

Cable Mount:

To suspend the highbay luminaire from cables, slide the button stop attached to the end of the cable kit through the hole in the end cap. Then, slide the rectangular plate installed on the cable through the same hole. Attach the cable to a secure, stationary structure. Use the spring slide to adjust the height. Choose the appropriate knockout, and wire the fixture in accordance with proper code.



Surface Mount:

To surface mount the highbay luminaire, bolt the fixture brackets to the ceiling or rail (Figure 1). Once the brackets have been properly secured, attach the luminaire using the screws provided (Figure 2). Choose the appropriate knockout, and wire the fixture in accordance with proper code.

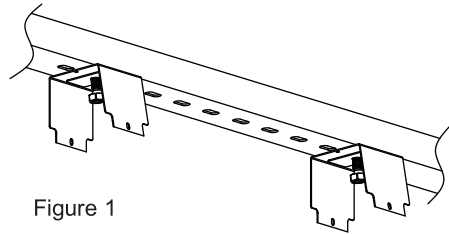


Figure 1

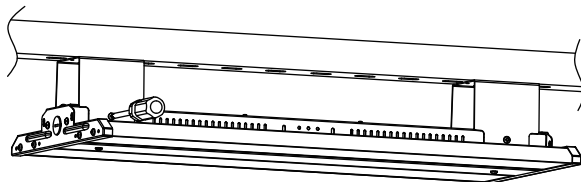


Figure 2

Motion Sensor/PIR Sensor (option sold separately):

To install motion/PIR sensor, first open the driver cover by removing the screws (Figure 1). Using the knock out on the side cover, mount the sensor, and make wire connections in accordance with code (Figure 2). Once the wiring is complete, reattach the driver cover (Figure 3).

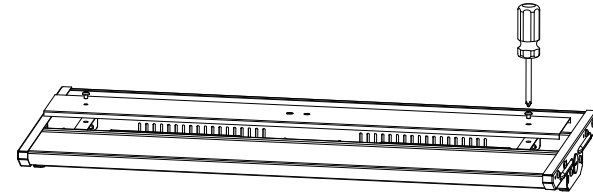


Figure 1

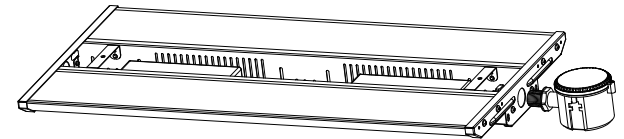


Figure 2

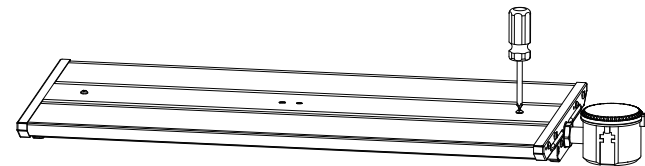


Figure 3