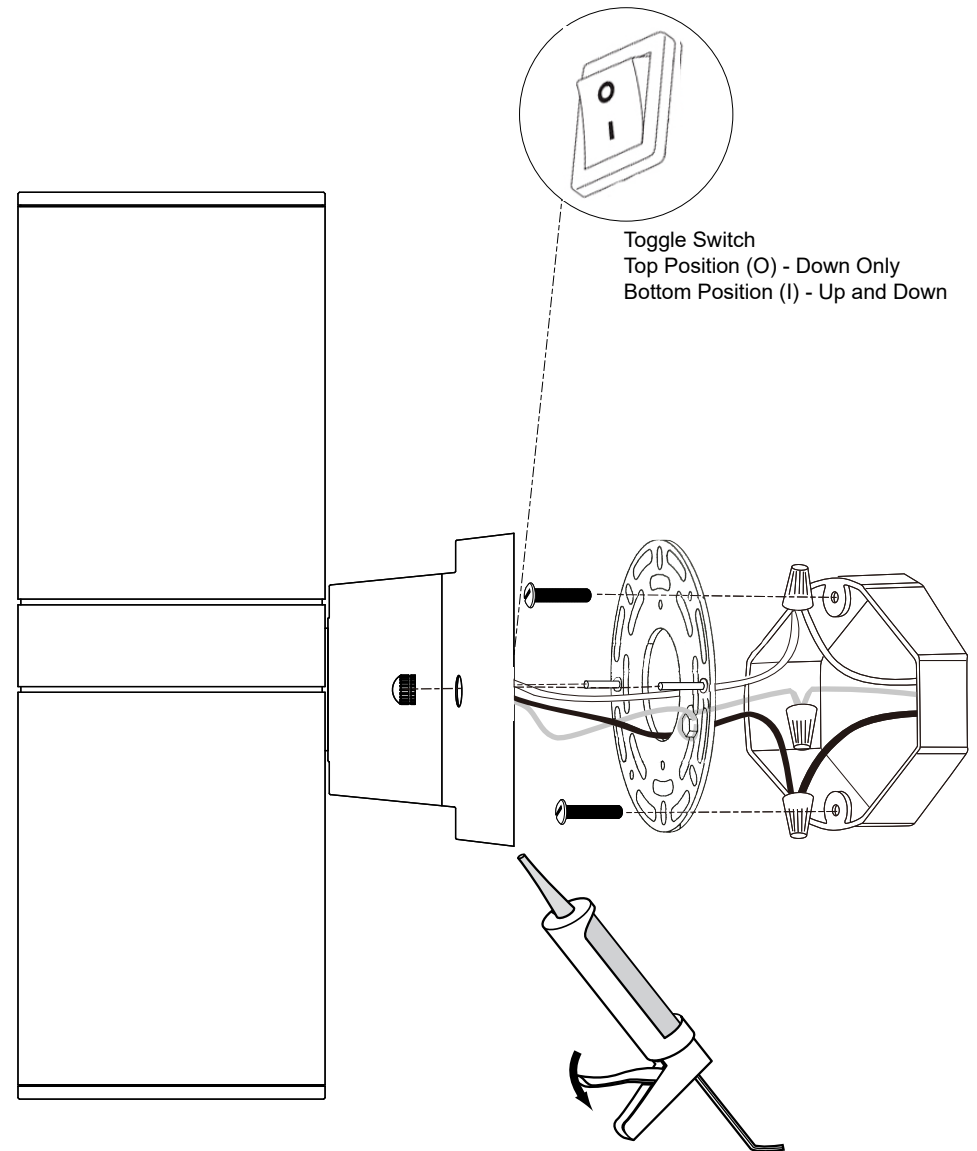
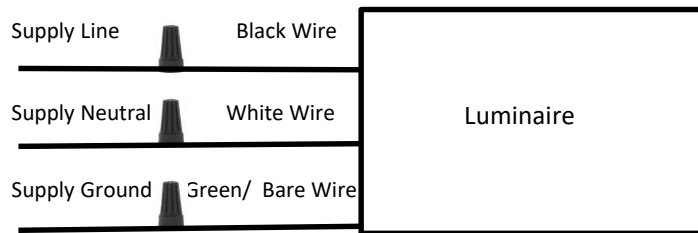


## Up and Down Cylinder Light INSTALLATION INSTRUCTIONS

### CAUTION:

1. Read all instructions before starting installation.
2. This product must be installed in accordance with the applicable installation codes by a qualified electrician familiar with the construction and operation of the product and the hazards involved.
3. Disconnect power at circuit breaker or fuse before starting installation.
4. To avoid injury, wear gloves during installation.
5. To reduce the risk of electrical shock and product damage, do not install this luminaire during rain or other storms.
6. Do not test luminaire using an electric generator before installation.
7. Use minimum 75°C Supply Wires.

### Wiring Diagram



Toggle Switch  
Top Position (O) - Down Only  
Bottom Position (I) - Up and Down

Apply silicon around luminaire  
perimeter after installtion

**SAVE THESE INSTRUCTIONS**