

# WP53-E

## Installation Instructions



### IMPORTANT SAFEGUARDS READ AND FOLLOW ALL SAFETY INSTRUCTIONS.

When using electrical equipment, basic safety precautions should always be followed including the following:

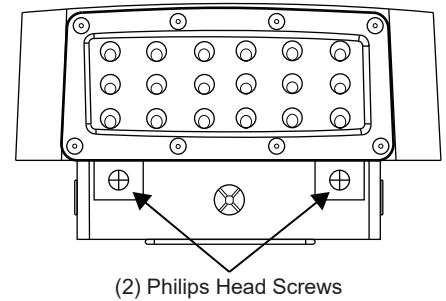
- **DISCONNECT AC POWER SUPPLY BEFORE SERVICING.**
- Installation and servicing of this equipment should be performed by qualified service personnel only.
- Ensure that the electrical wiring conforms to the National Electrical Code NEC® and local regulations, if applicable.
- Do not mount near gas or electrical heaters.
- Equipment should be mounted in locations and at heights where it will not be readily subjected to tampering by unauthorized personnel.
- The use of accessory equipment not recommended by the manufacturer may cause an unsafe condition.
- Any modification or use of non-original components will void the warranty and product liability.
- Do not use this equipment for other than intended use.

**SAVE THESE INSTRUCTIONS!**

## Installation

1. Open the fixture by removing the (2) mounting screws on the bottom of the fixture. (Fig. 1)

Fig. 1



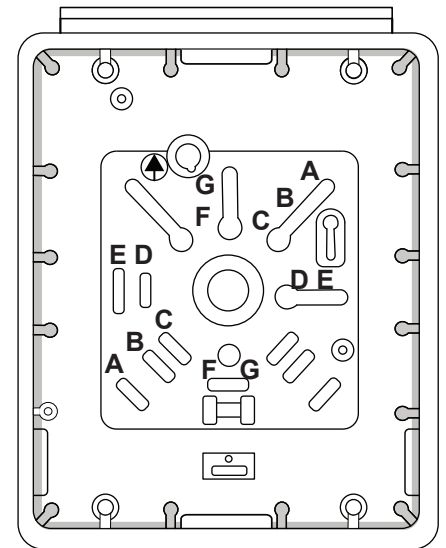
2. Remove the appropriate knockouts for mounting the back enclosure to the J-box by following the J-box mounting chart. (Fig. 2 and Table 1)

Table 1 - J-Box Mounting Chart

A-A	4" Square Box
B-B	4" Octagonal Box
C-C	3-1/2" Square/Octagonal Box
D-D	Masonry Box
E-E	4" Round Box
F-F	2-3/4" Hold Pattern
G-G	Single Gang

3. Make electrical connections; see **Electrical Connections** section.

Fig. 2



4. Check that the gasket is properly adhered to back of the fixture, then secure the back enclosure to the J-box. Ensure that the back enclosure is level with the ground using the built-in leveling bubble. (Fig. 3)

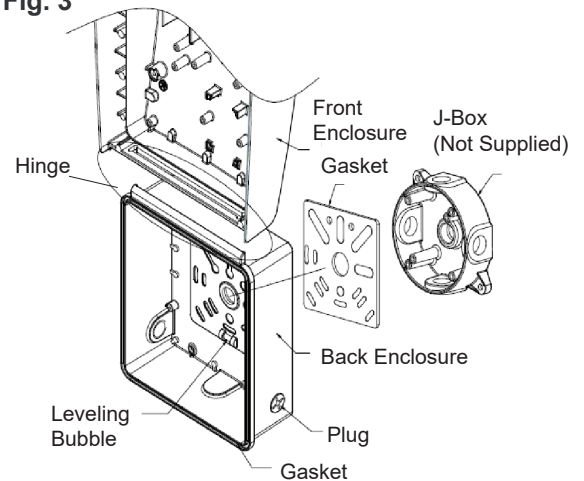
**Note:** Fixture is intended for downlight only.

5. Align the front enclosure with the hinge located on the top of the back enclosure, then swing the front enclosure down to close the fixture.

6. Reinstall the (2) Philips head screws.

**IMPORTANT:** Weatherproof your outdoor installation. Be sure to seal all holes in the enclosure, such as the mounting, conduit, plugs, sensors, and photocontrols with silicone sealant. Apply sealant across top edge of the wall pack between the back enclosure and the mounting surface to prevent water from reaching the back of the enclosure.

Fig. 3



---

## Electrical Connections (Fig. 4-6)

All electrical connections should be made inside the junction box. Make electrical connection as follows:

### 120-277VAC

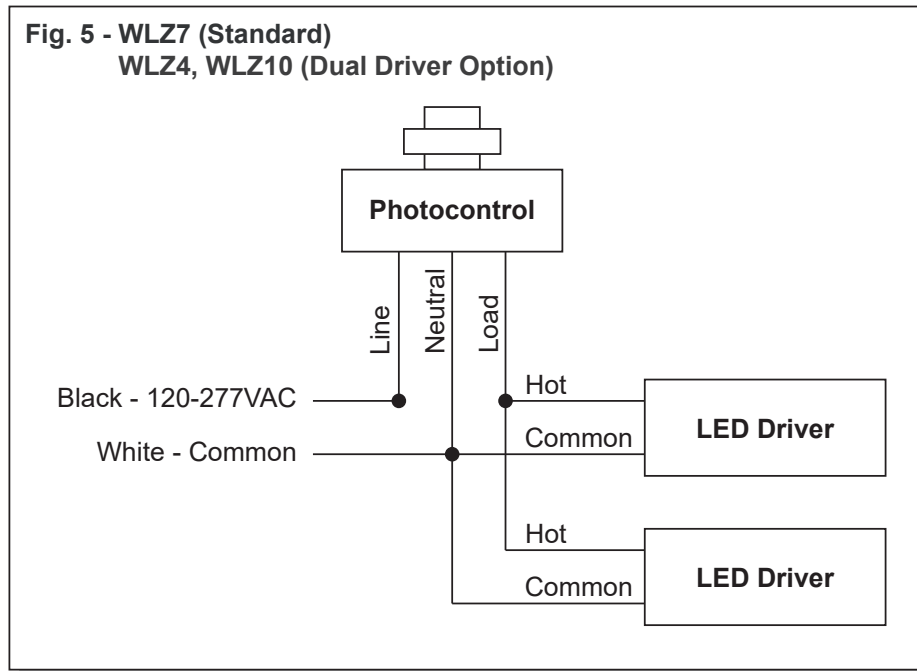
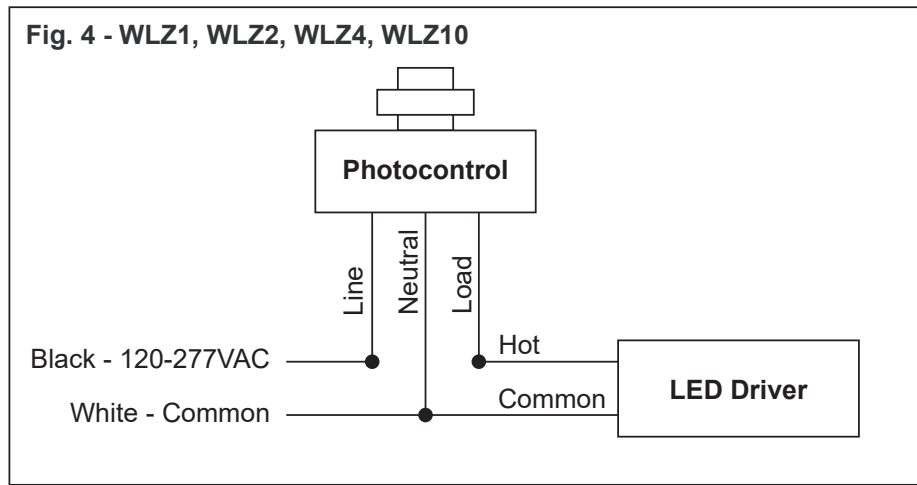
Black - 120-277VAC

White - Common

Connect the ground wire to the green grounding screw.

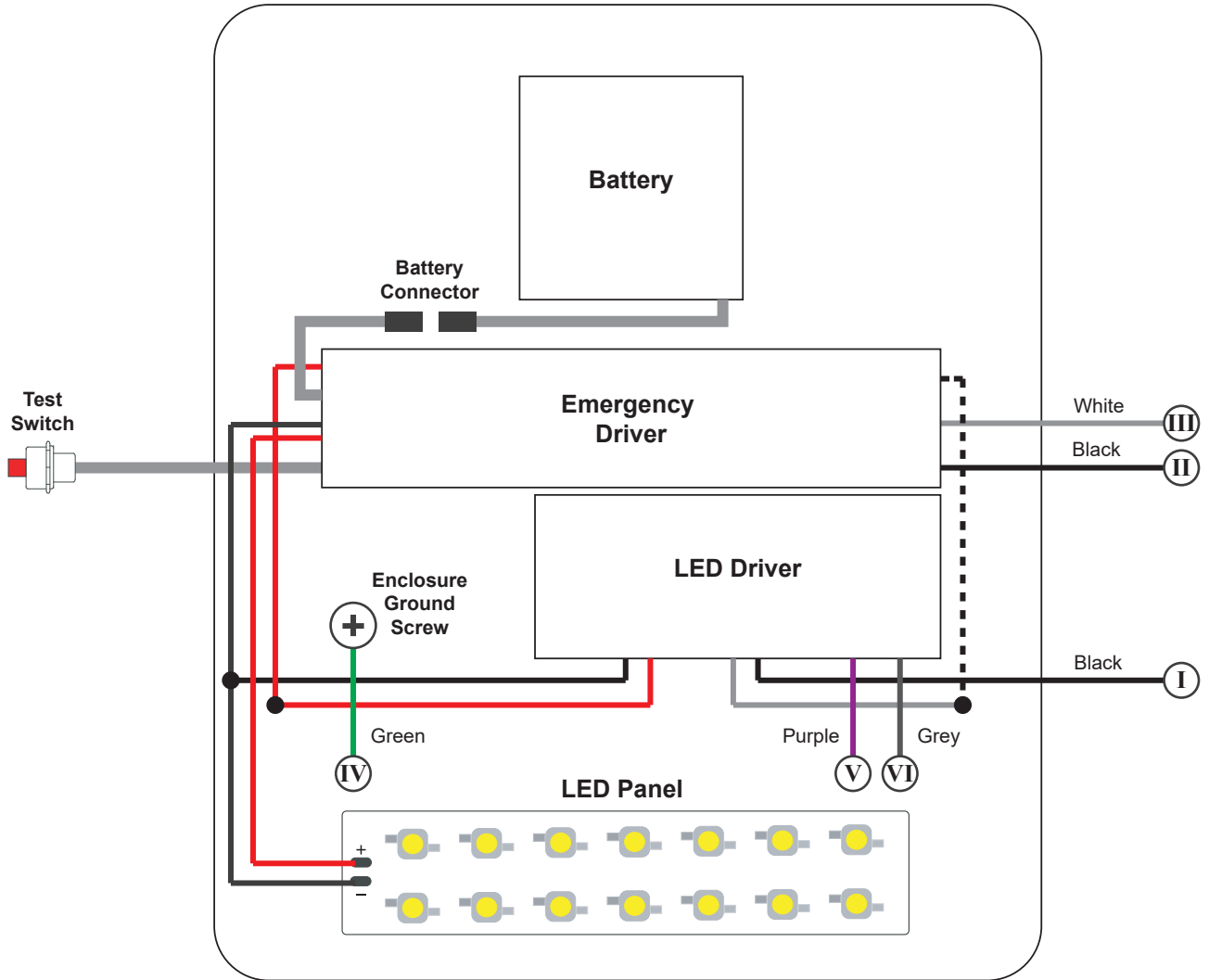
**Note:** Cap unused leads to prevent shorting.

**Note:** This fixture auto-adjusts for voltages from 120-277VAC.



## Electrical Connections, Continued

Fig. 6 - Fixtures with Battery Backup (BB Option)



**Legend**

Ⓛ Wire Connection with Identifying Roman Numeral

● Existing Wire Connection

Black	Ⓛ	Switch Line
Black	Ⓜ	Unswitched Line
White	Ⓝ	Common
Green	ⓓ	Ground
Purple	ⓔ	DIM(+)
Grey	ⓕ	DIM(-)